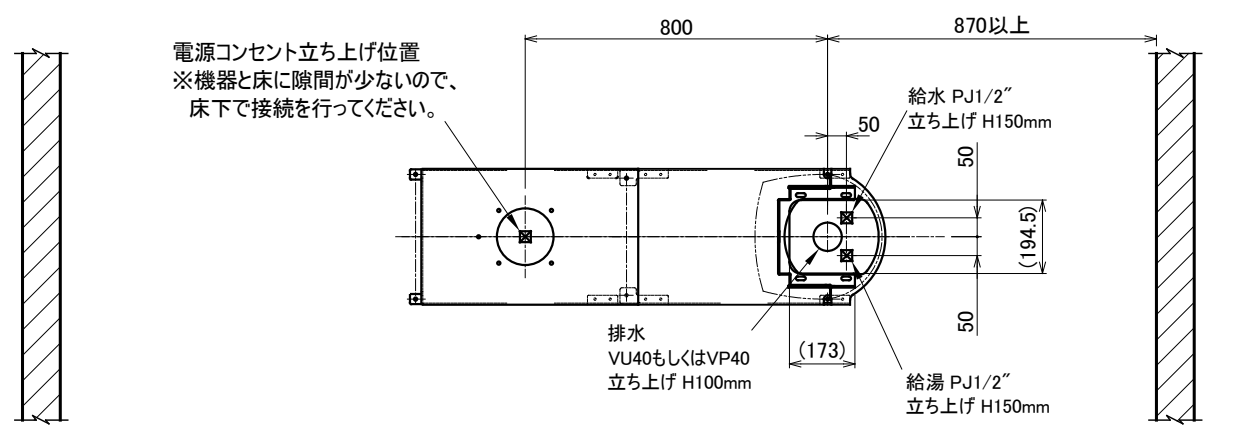
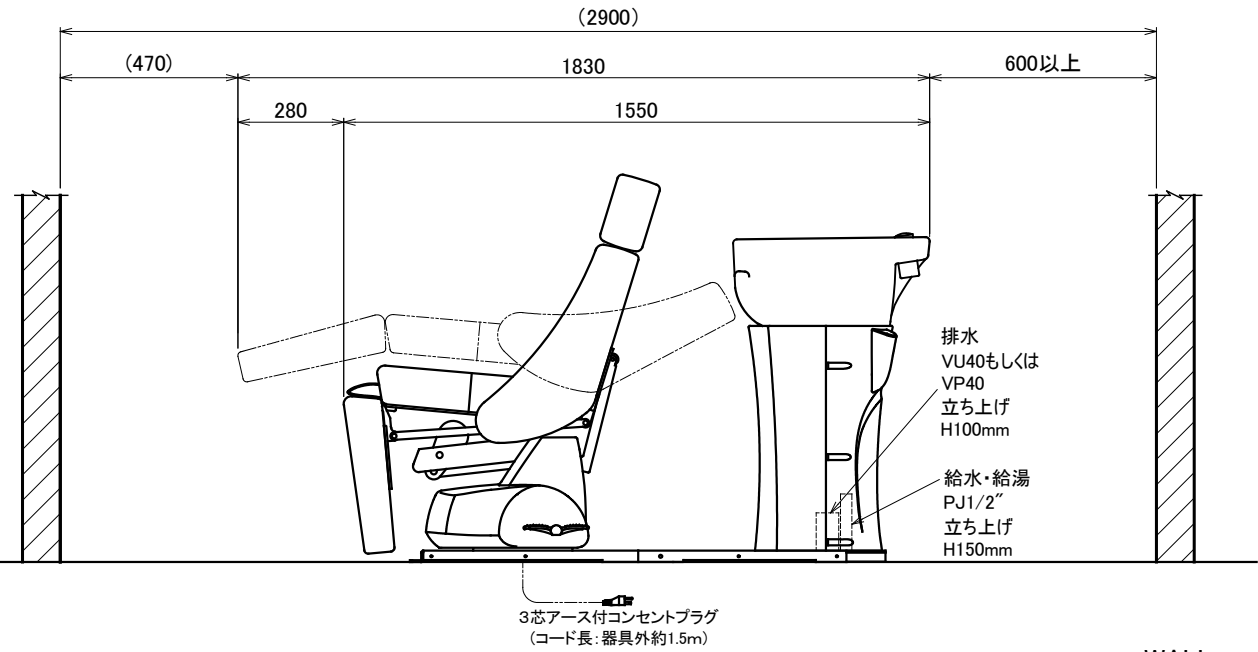


No.	Part Name	Q'ty	Material	Processing*Finish	Remarks
-----	-----------	------	----------	-------------------	---------



Mark	Date	Revisions	Drawn	Approved
1				
2				
3				

3rd angle projection method

**BEAUTY GARAGE** Maker B.D Korea Co.Ltd [370F]

Approved Checked Drawn Date 2019/04/22 Project リラクゼーションシャンプーユニット BG Model No. 10000001

Scale Scale= 1:20(A4) Title 設置図面【配管】(取扱説明書) Version 01 Sheet No. 1/1

measurement unit: mm