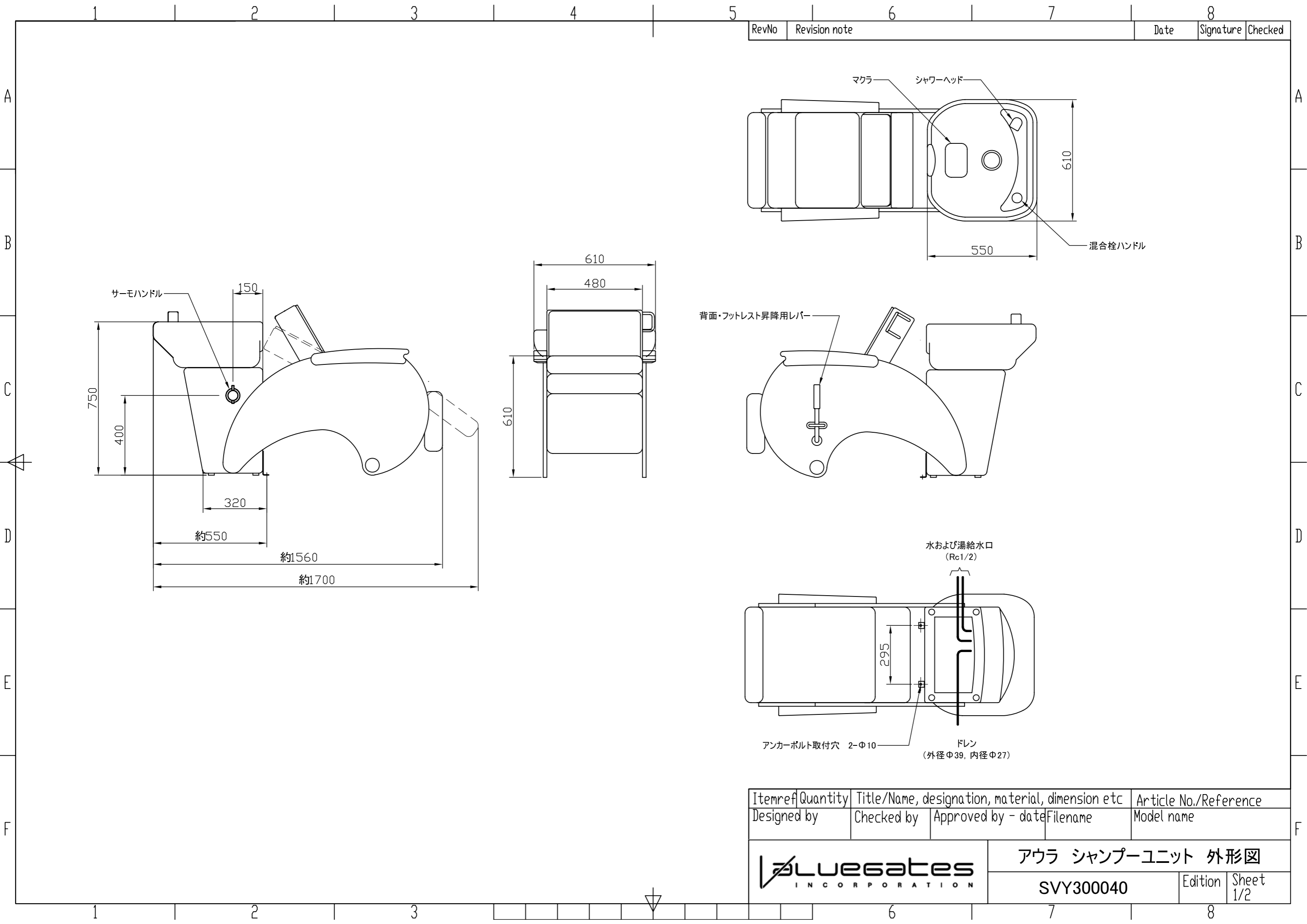


RevNo	Revision note	Date	Signature	Checked
-------	---------------	------	-----------	---------



Itemref	Quantity	Title/Name, designation, material, dimension etc	Article No./Reference
Designed by	Checked by	Approved by - date	Filename
			アウラ シャンプーユニット 外形図 SVY300040
			Edition Sheet 1/2

A

B

C

D

E

F

A

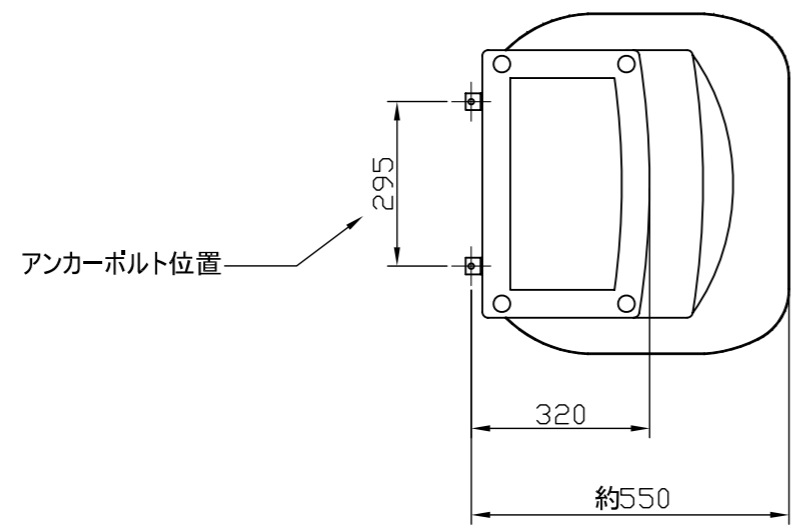
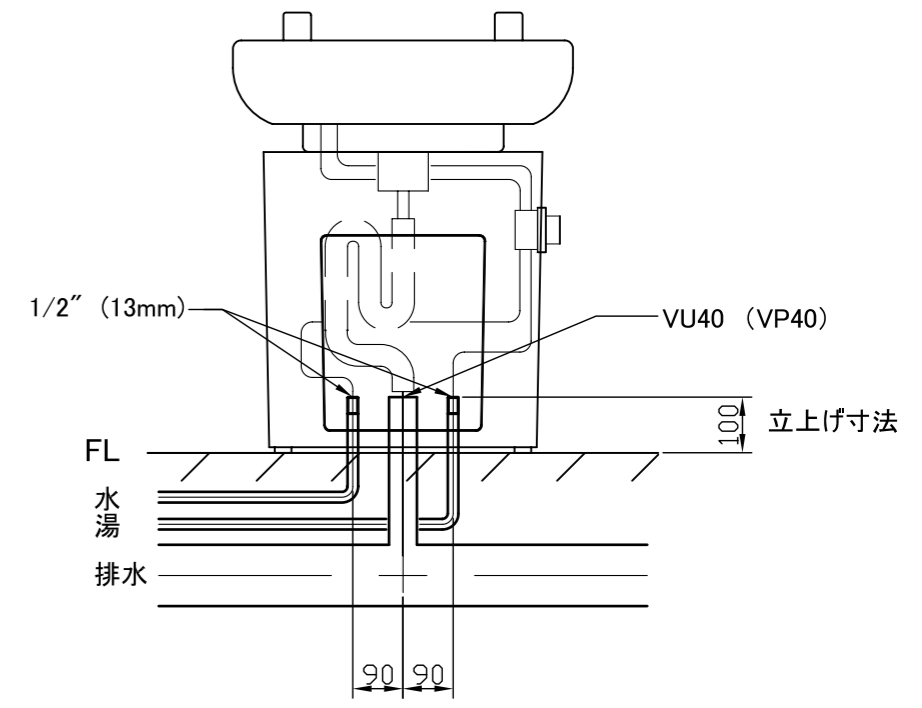
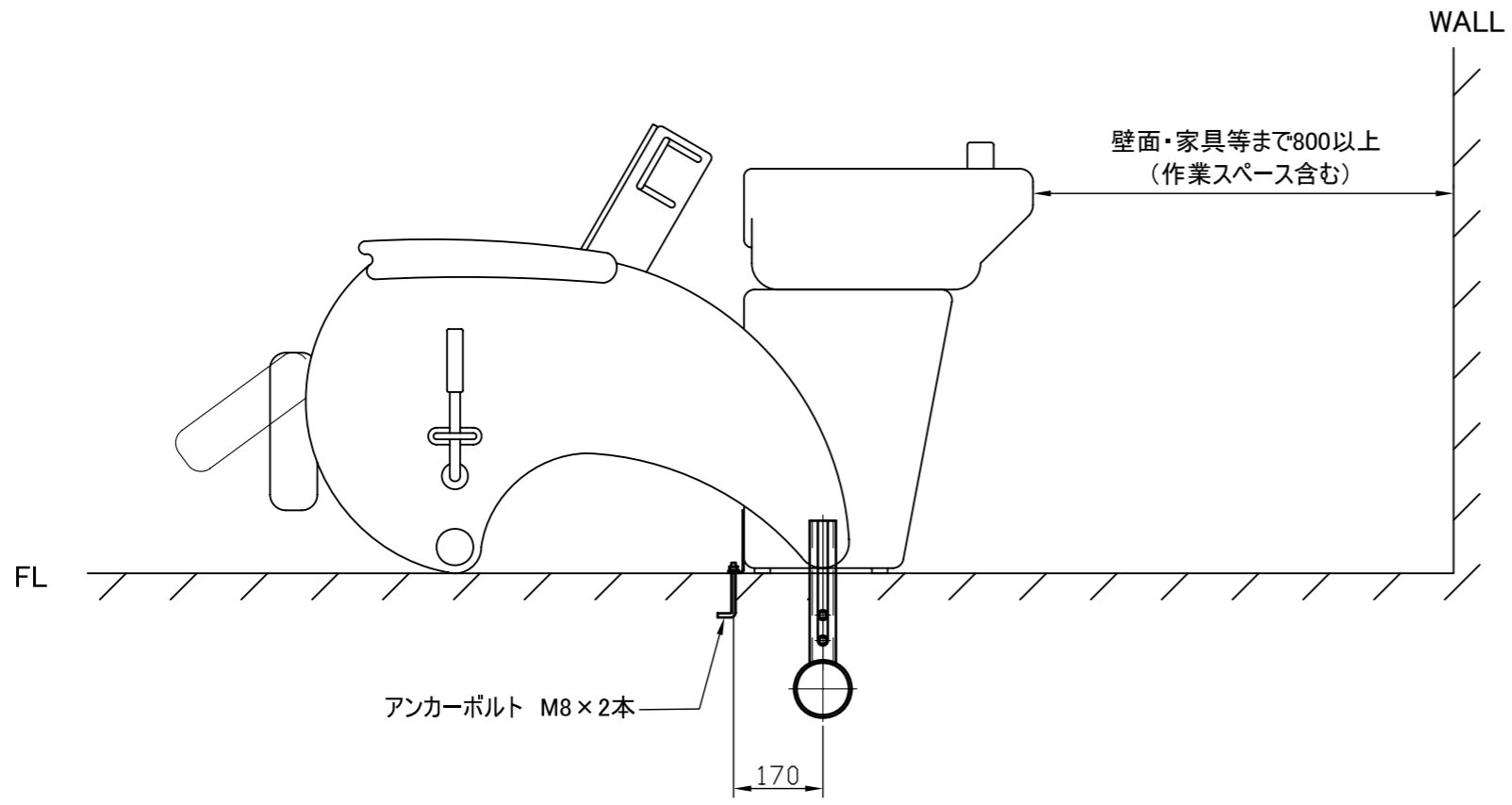
B

C

D

E

F



Itemref	Quantity	Title/Name, designation, material, dimension etc	Article No./Reference
Designed by	Checked by	Approved by - date	Model name
		アウラ シャンプーユニット 設置概略図	
		SVY300040	Edition Sheet 2/2