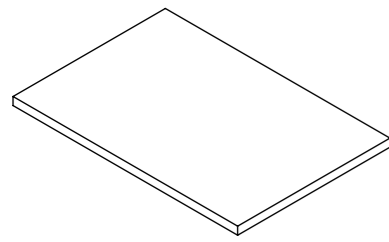
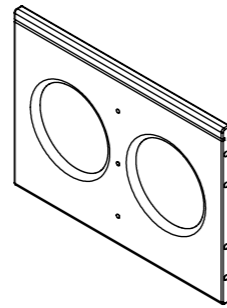


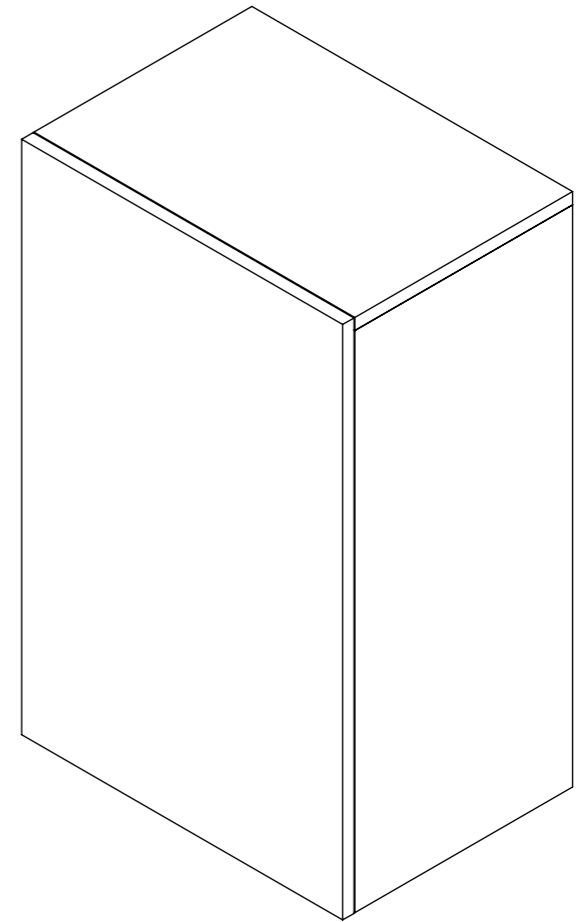
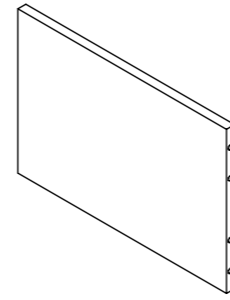
1x1



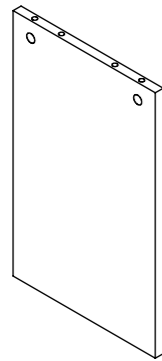
2x1



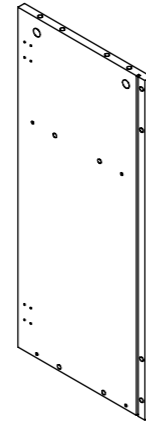
3x1



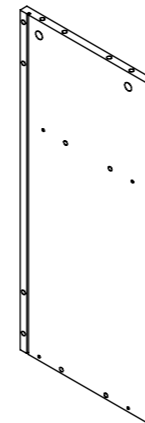
4x1



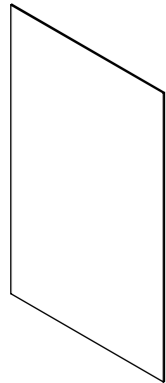
5x1



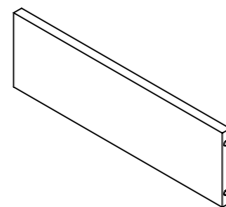
6x1



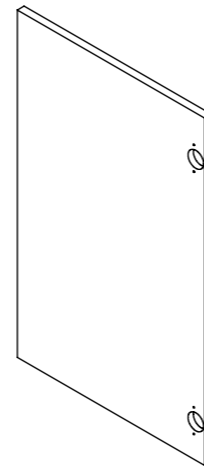
7x1



8x2



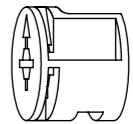
9x1



Ax14



Bx14



Cx3



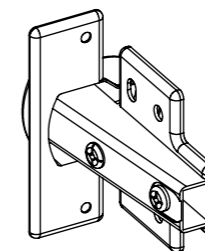
Dx12



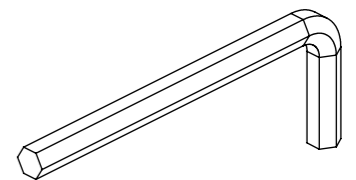
Ex20

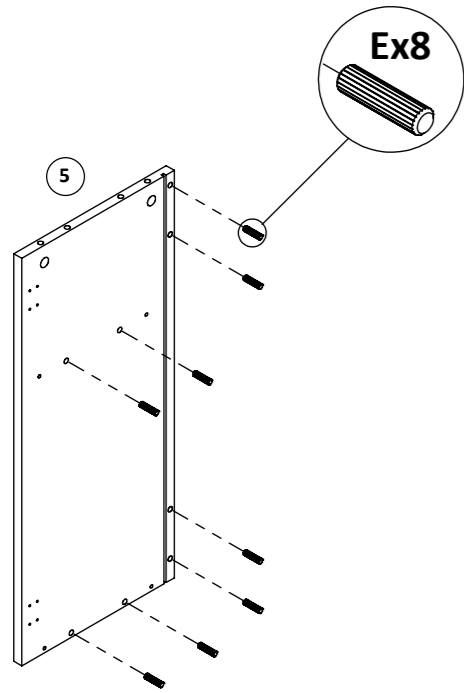
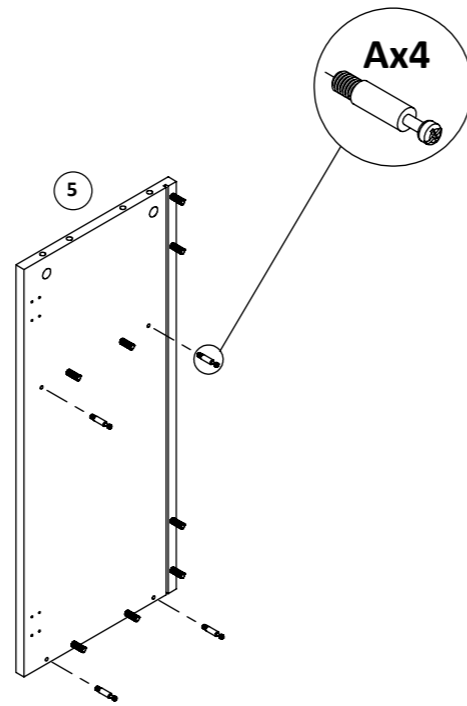
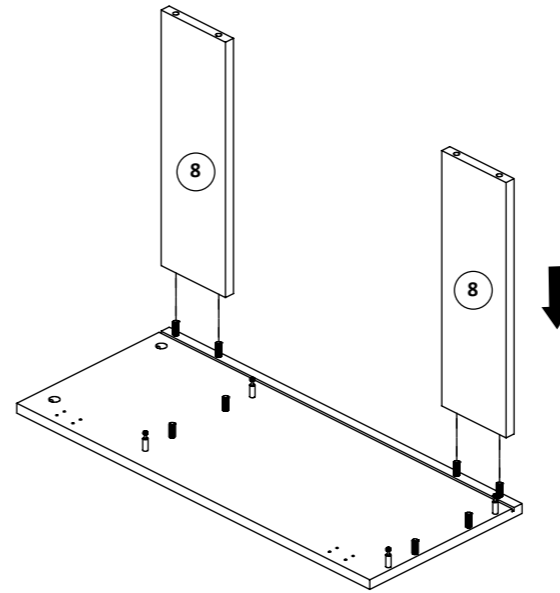
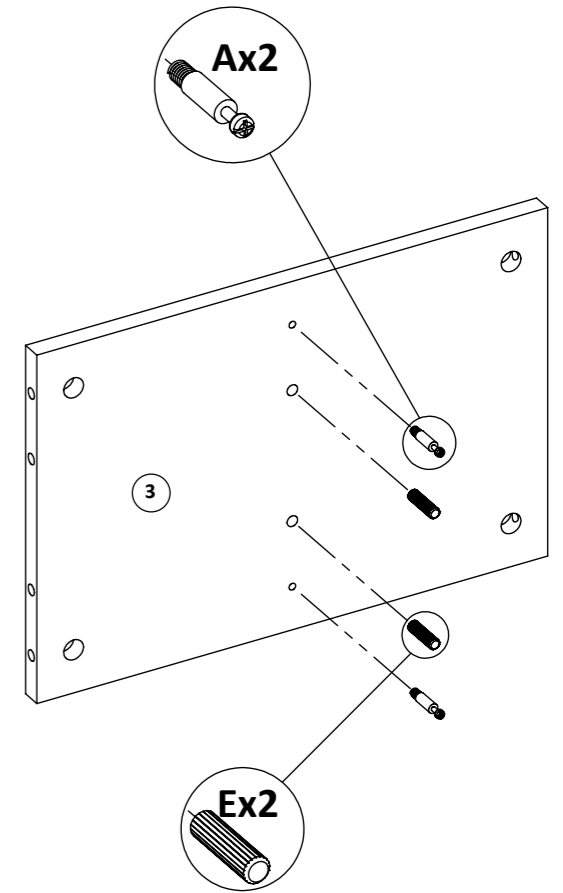
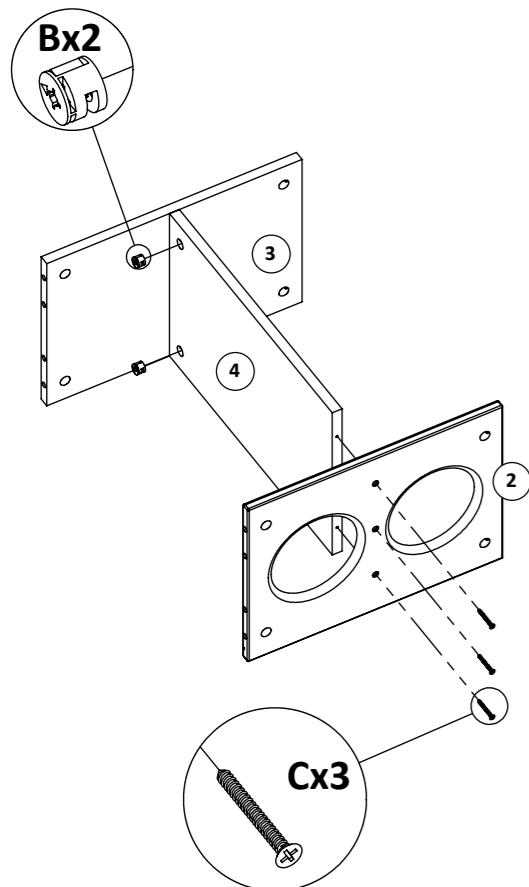
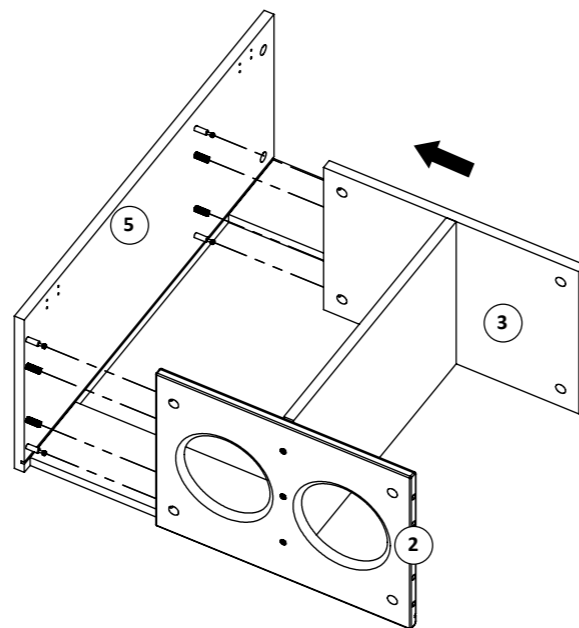
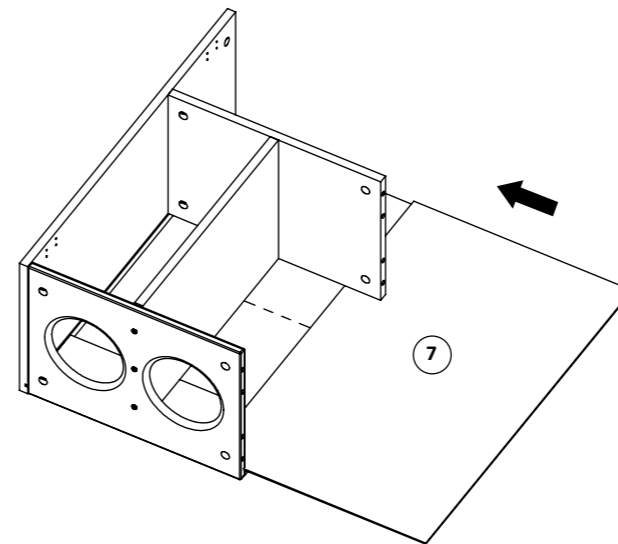
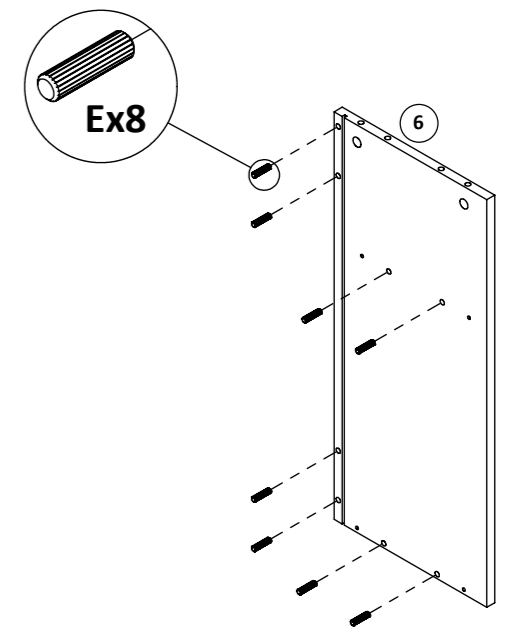


Fx2

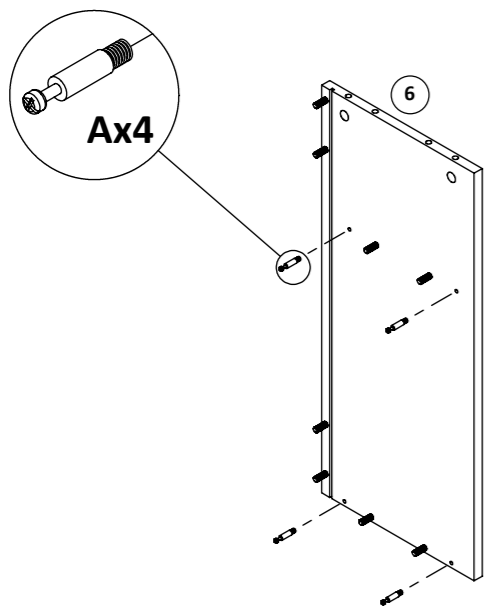


Gx1

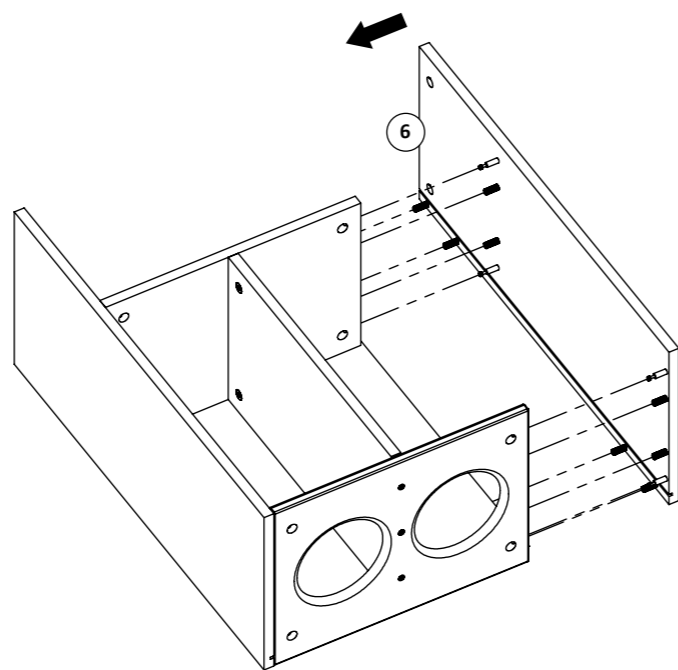


1**2****3****4****5****6****7****8**

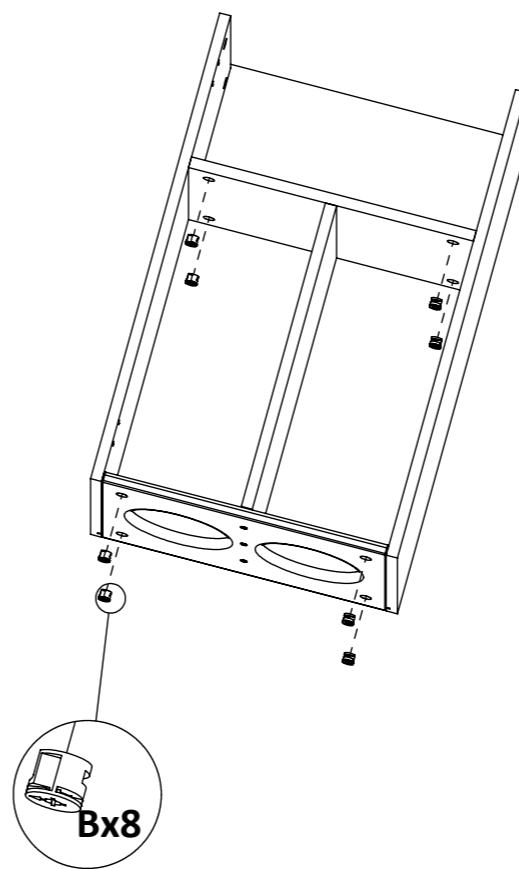
9



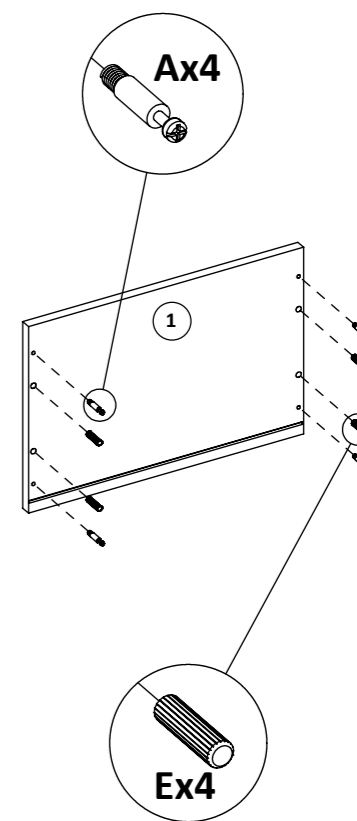
10



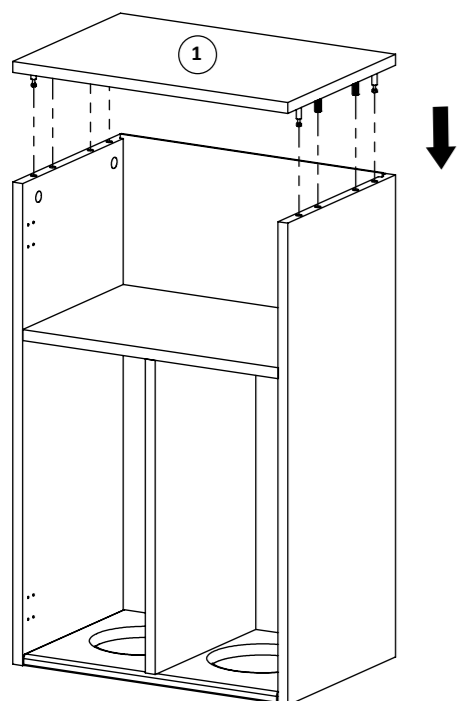
11



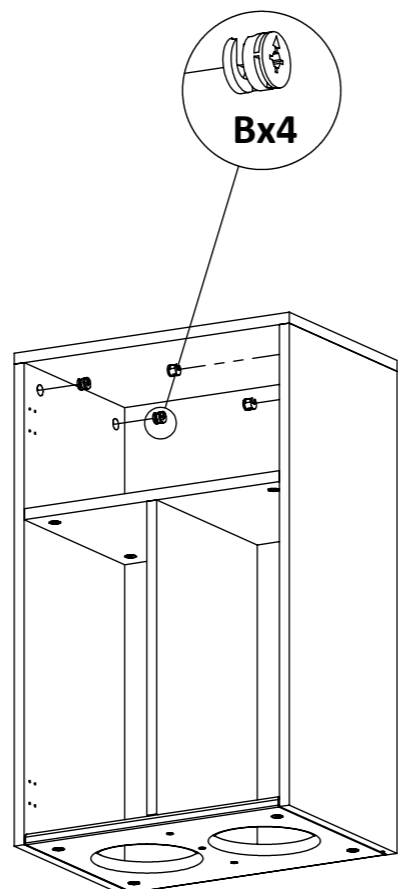
12



13



14



15

