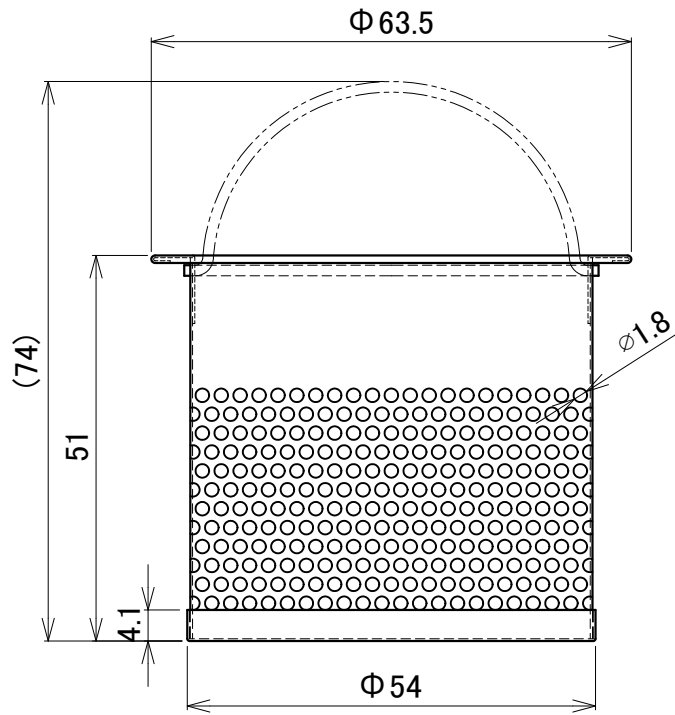
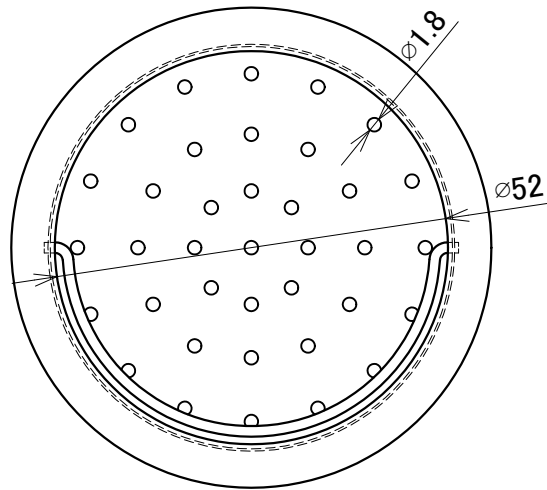
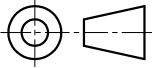

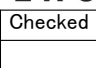


No.	Part Name	Q'ty	Material	Processing Finish	Remarks
-----	-----------	------	----------	-------------------	---------



NOTE
1) Material: SUS308

Mark	Date	Revisions	Drawn	Approved
------	------	-----------	-------	----------

3rd angle projection method 	BEAUTY GARAGE			Product name Hair catcher		
	Approved 	Checked 	Drawn marukusu	Date 2018/09/12	Category SPAZIO	BG LOT No.
measurement unit: mm	Scale Scale= 1:1(A4)			Title: 寸法図	Version 01	Sheet No. 1/1