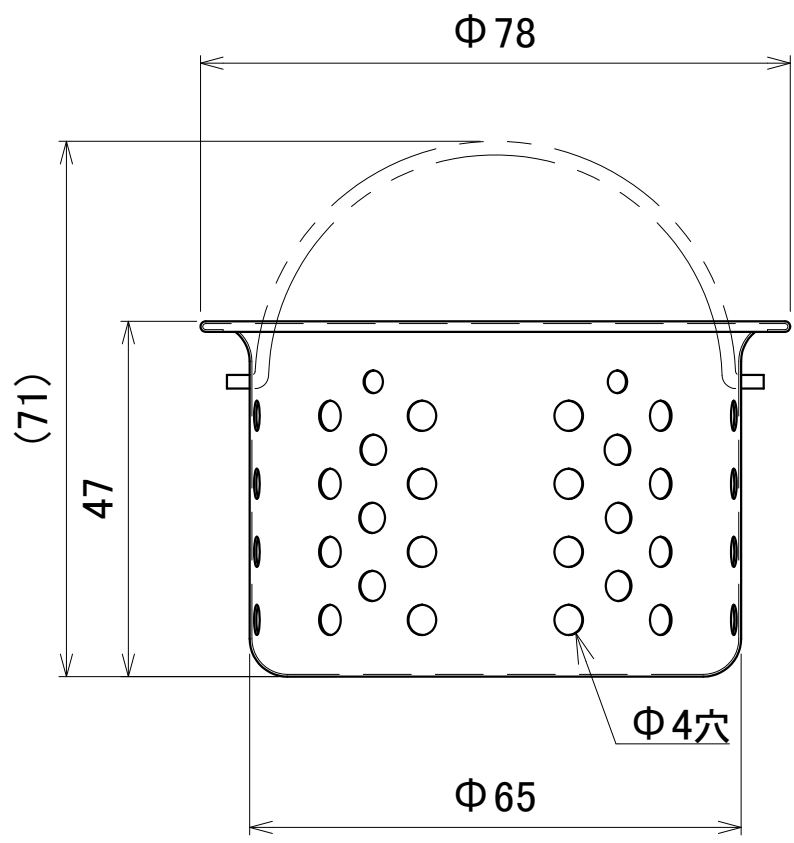
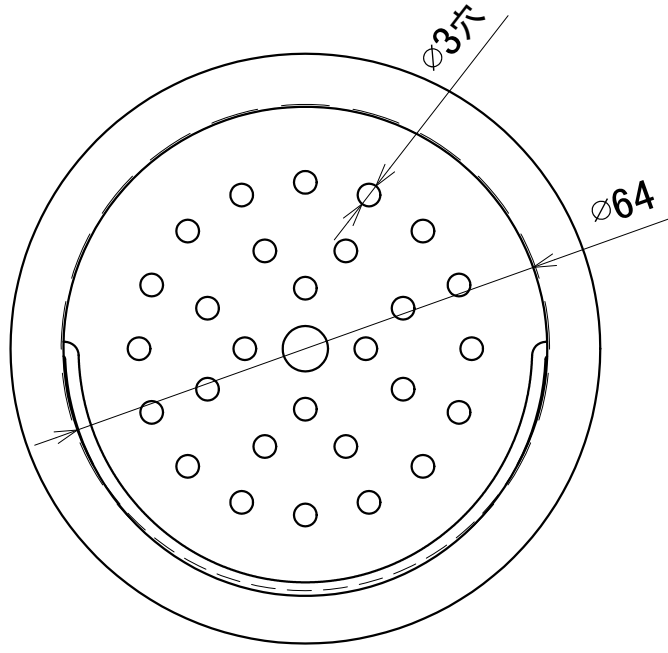


No.	Part Name	Q'ty	Material	Processing・Finish	Remarks
-----	-----------	------	----------	-------------------	---------



NOTE
1) Material: SUS

Mark	Date	Revisions	Drawn	Approved
------	------	-----------	-------	----------

3rd angle projection method 	BEAUTY GARAGE		Product name Hair catcher		BG LOT No.	
	Approved	Checked	Drawn marukusu	Date 2020/07/07	Category リラクゼーションシャンプーユニット MORV	
measurement unit: mm	Scale Scale= 1:1(A4)			Title 寸法図	Version 01	Sheet No. 1/1